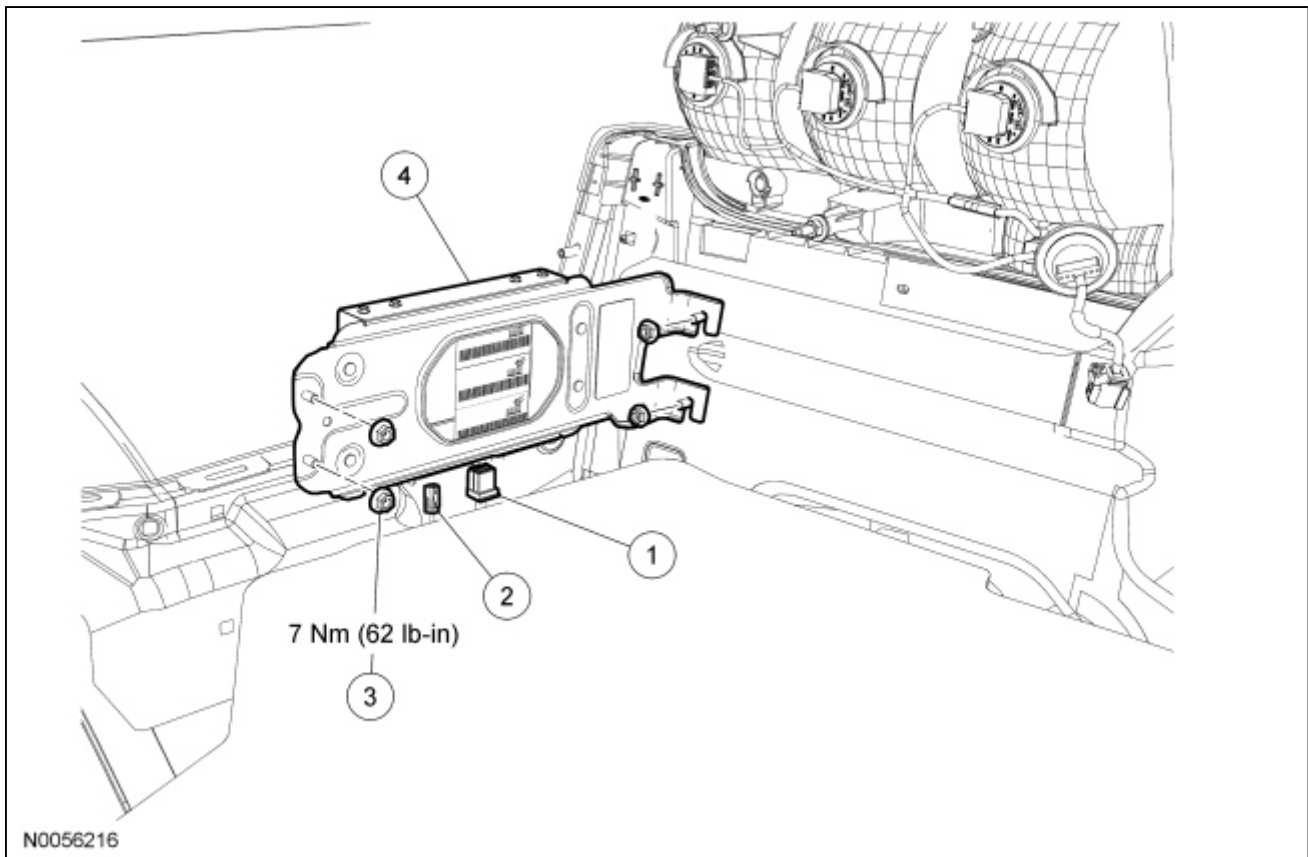


Satellite Digital Audio Receiver System (SDARS) Module



Item	Part Number	Description
1	—	Satellite Digital Audio Receiver System (SDARS) module electrical connector (part of 14A005)
2	—	Satellite radio antenna cable electrical connector (part of 19B516)
3	W520412-S	SDARS module nuts (4 required)
4	18C963	SDARS module

Removal and Installation

- NOTE:** Module configuration is only required if a new Satellite Digital Audio Receiver System (SDARS) module is being installed.

Upload the [SDARS](#) module configuration information to the scan tool. For additional information, refer to Programmable Module Installation (PMI) in [Section 418-01](#).

- Set the RH luggage compartment trim aside.
 - Remove the push-pins, as required.
- NOTE:** When installing the nuts, tighten the 2 rear nuts before tightening the front 2 nuts.

Remove the 4 nuts and the [SDARS](#) module.

- Disconnect the electrical connectors.
- To install, tighten the nuts to 7 Nm (62 lb-in).

4. To install, reverse the removal procedure.

- Download the configuration information to the [SDARS](#) module. For additional information, refer to [PML](#) in [Section 418-01](#).
-